



PAVNI ENGINEERING



**DESIGNED
FOR
EXCELLENCE
&
COMMITTED
DELIVERY.**



After a decade of planning and project execution in the Thermal, Utilities and LNG areas in India, Yemen and Mauritius, PAVNI Engineering was founded with a small highly technically skilled and committed team in 2013.

What started as a 36-member fertilizer project in Turkmenistan has now grown over 50-fold.

We have since executed multifarious projects covering Oil Refineries, Polyurethane plant, LNG plants and Gas processing units located in Northern, Central and Eastern regions of Russia battling extreme temperatures and climatic challenges.

We have also grown in terms of operations and activities undertaken and cover a wide spectrum of Construction, Implementation and Project Management Services.

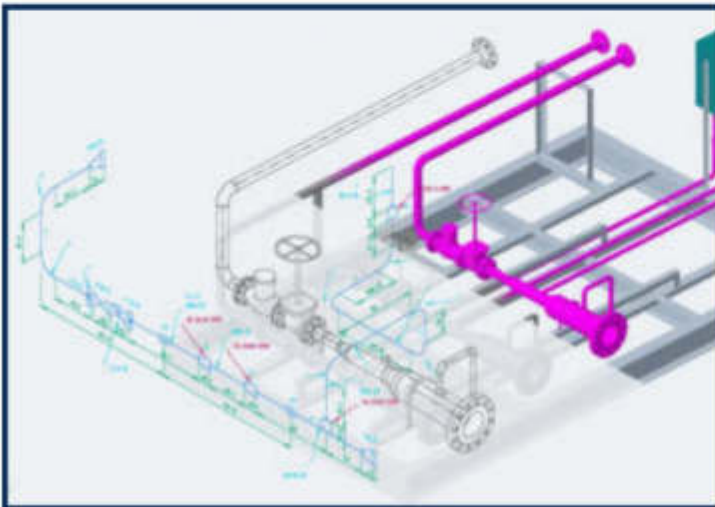
We are now poised to become a full-service EPC as our core team has the right blend of skills and experience.

Engineering Services

Pavni is moving towards a full services EPC.

Having established with specialized skills in the core areas, now it's poised to move upstream into Design and Procurement.

A multi skilled leadership team, strong technical work ethic and rapid scalability have been our strength.



ACHIEVEMENTS:

Team Ready with Skills in 3D modeling, Structural Design and Load Analysis, Plant & Equipment Design, Piping Stress Analysis, SIL, PID and CFD analysis for Thermal, Biogas, Petrochem and Chemical plants.

Team is Proficient in AutoCAD, STAAD Pro Analysis, RFEM, Inventor, AVEVA, Unigraphics, CATIA, Pro-E, Solid Works, ACAD – Plant 3D, PDS, PDMS, E3D, SP3D, HTRI, CAESAR11, PVELITE, Hyper Mesh and Ansys, COSMOS, SPI.

ENGINEERING DESIGN SERVICES

- PFD and P&ID
- 2D & 3D Modeling and Detailed Drawings
- Structural Design of columns, Beams, Cantilever, Fixed Beam, Pipe Racks, GA, AIJ Standard of STAAD Pro Analysis.
- Equipment thermal design, layout and installation plans
- SKID and Equipment mechanical design
- Piping stress analysis and structural analysis
- Preparing Material requisition, purchase specs and ABS
- Laser scan conversion, 3D modeling and assembly
- Electrical Cable Block Diagram, Control Room Layout & Arrangement, Single Line Diagram,
- Instrumental Hookup Drawings, Loop Wiring Drawing, Interlock Logic Drawings, IO Listing with COSMOS.

PROCUREMENT SERVICES

- Vendor surveys, technical & commercial evaluation
- Project contract, schedule negotiation etc
- Review of Design, drawings, fab sequence, QA/QC docs
- Overall projects, schedule monitoring, periodic reviews.

OIL & GAS, POWER SECTOR AND UTILITIES SERVICES

- Structural – Fabrication, Installation and Erection of Structural beams, columns, girders, plates, roofing, piping support, pipe racks, utilities buildings and boilers
- Utilities buildings, Boilerswater wall Panels, Steam Lines, Headers, & Boilers Drum, Storage Tanks.

PIPING

- On-field & Off-field fabrication of skid pipes, long loop, short loop & miter bends, Jacketed Piping's,
- Erection of underground and above ground piping
- Welding of Structural and Piping joints
- NDT Inspection and Test Pack Services
- Pre-commissioning Services.

Project Management

- Engineering Drawing reviews
- Quantity surveys
- Scheduling work and
- Quality documentation.

Construction,
Implementation
and Project Management

This has been
the core area of focus
for the past 9 years and
covers the entire spectrum
of services.



ACHIEVEMENTS:

2.4 m WDI,
140 MT Structural Work
and 19 m man-hours deployed.



MANPOWER & TRAINING SERVICES

Pavni has been very successful in sourcing, skilling and deploying skilled and managerial resources. Strong processes and commitment to Industry standards and processes have helped sustain and scale our operations.



ACHIEVEMENTS:

Over 2000 people NAKS Certified and deployed, 100% schedule adherence and over 99% retention.

RESOURCE MANAGEMENT

- Strong sourcing models and relationships to keep an active pipeline of resources
- Stringent selection and skill mapping processes
- Oil, Gas, Power and Shipbuilding focus for Managerial, Supervisory and Skilled and semi-skilled workers
- Project, Production, Construction, Technical, Piping, Planning, Field Engineers, QA and QC Engineers (Level II, AWS, CSWIP, Safety Officers NEBOSH)
- Entire spectrum of blue collared workers – certified and or internally skilled.

TRAINING SERVICES

- Expertise in training for NAKS Welding Certification that has a global acceptance.
- In-house Training facility to upgrade Welding skills.

PROJECTS



ONGOING PROJECTS

- USLUGA GPP, Saint Petersburg, Russia.
- Chemicals and Polyethylene Plant, Nizhnekamsk, Russia.
- Tarapur Atomic Power Station I & II
- Defence Project, Pune.

OUR CUSTOMERS AND SUPPORTERS





PAVNI ENGINEERING PRIVATE LIMITED
#4, Flat-G-1, Pallaru Street, Thiruthani Nagar,
Old Pallavaram, Chennai 600 117. India.
Phone: 044 - 35510968
Email: info@pavniengineering.com
www.pavniengineering.com

ООО ПАВНИ ИНЖИНИРИНГ
Pavni Engineering LLC
18/1 Olympiyskiy avenue
n.ter.g. municipal district Meshchansky,
Moscow, Russia Federation
Phone: +79650777090
Email: md@pavniengineering.com
www.pavniengineering.com